

NOTE:
IF PROVIDED PANIC PROOF
LOCKS ON COOLER FREEZER
DOORS WILL ELIMINATE
NEED FOR ALARM.

LEGEND	
	THREE WAY SWITCH PROOF THREE WAY SWITCH PROOF
	FLUORESCENT CEILING FIXTURE SURFACE MOUNT TYPE
	INCANDESCENT CEILING FIXTURE WATER PROOF
	VAPOR PROOF BULKHEAD FIXTURE
	BERTH LIGHT W/2W 3P GROUND RECEPTACLE AND TOGGLE SWITCH
	CHART TABLE LIGHT FLUORESCENT FIXTURE W/ SWITCH
	FLOOD LIGHT PHOENIX MR58B 1000 (48 VAC)
	SPOT LIGHT 9" CARLISLE - FRINCH READ SEAT B WHEEL
	NON-WATER PROOF SWITCH PLUSH MOUNTING SINGLE POLE 15A 125V
	WATER PROOF SWITCH BOX SINGLE POLE 10AMP 800W
	NON-WATER PROOF DOUBLE RECEPTACLE PASSMAN & SEYMOUR 6300
	WATER PROOF DOUBLE RECEPTACLE 15A 125V/AC 3 WIRE 11" GROUND
	BLUE FLASHING LIGHT PAULUHN MODEL# 1161A
	RED FLASHING LIGHT PAULUHN MODEL# 1161A
	4 DIA 1/8 DIA DEEP 1/8 DIA GASKET W/ 4 WIRE CONNECTING BLOCK
	INCANDESCENT CEILING FIXTURE WATER PROOF 100W
	EMERGENCY LIGHT PAULUHN MODEL# 1181A
	RED FOX ROTARY BLOWER
	DISCHARGE PUMP
	WALK IN COOLER COMPRESSOR
	THERMOSTAT
	RED FOX CONTROL BOX
	ELECTRIC RANGE 12KW
	WALK IN FREEZER COMPRESSOR
	THERMOSTAT

REV. MK	DESCRIPTION	BY	DATE	APPROV.
1	GENERAL REVISION			
2	REVISED THE TYPE OF CABLE, NUMBER OF LIGHTS AND TYPE OF CIRCUIT BREAKER, DELETED #1, #2 FEED W/PUMPS AND #1, #2 SEA WATER PUMPS. ADDED FIVE (5) RECEPTACLES FOR OUTSIDE SERVICE.	TAK	7/1/81	
3	ADDED DISCONNECT SW FOR ELEC. RANGE. ADDED THE TYPE OF C.B.S.	TAK	8/25/81	ALS.
4	NAVIGATION LIGHTS REVISED PER RULE REQUIREMENTS. ART ANCHOR LIGHT DELETED. ART ANCHOR LIGHT CHANGED TO YELLOW TOWING LIGHT.	ALS	9/15/81	
5	DELETED THE CABLE OIL PUMP FROM ENGINE ROOM PANEL. PROVIDED SEPARATE CIRCUIT FOR FAN COIL UNIT IN INSTRUMENT ROOM. ADDED DISCONNECT SWITCH IN INSTRUMENT PANEL. ADDED WIRE CONNECTION TO 5 PIPES FOR FAN COIL UNIT IN INSTRUMENT ROOM. ADDED NOTE FOR FREEZER & COOLER ALARM.	TAK	10/1/81	ALS
6		TAK	10/1/81	ALS

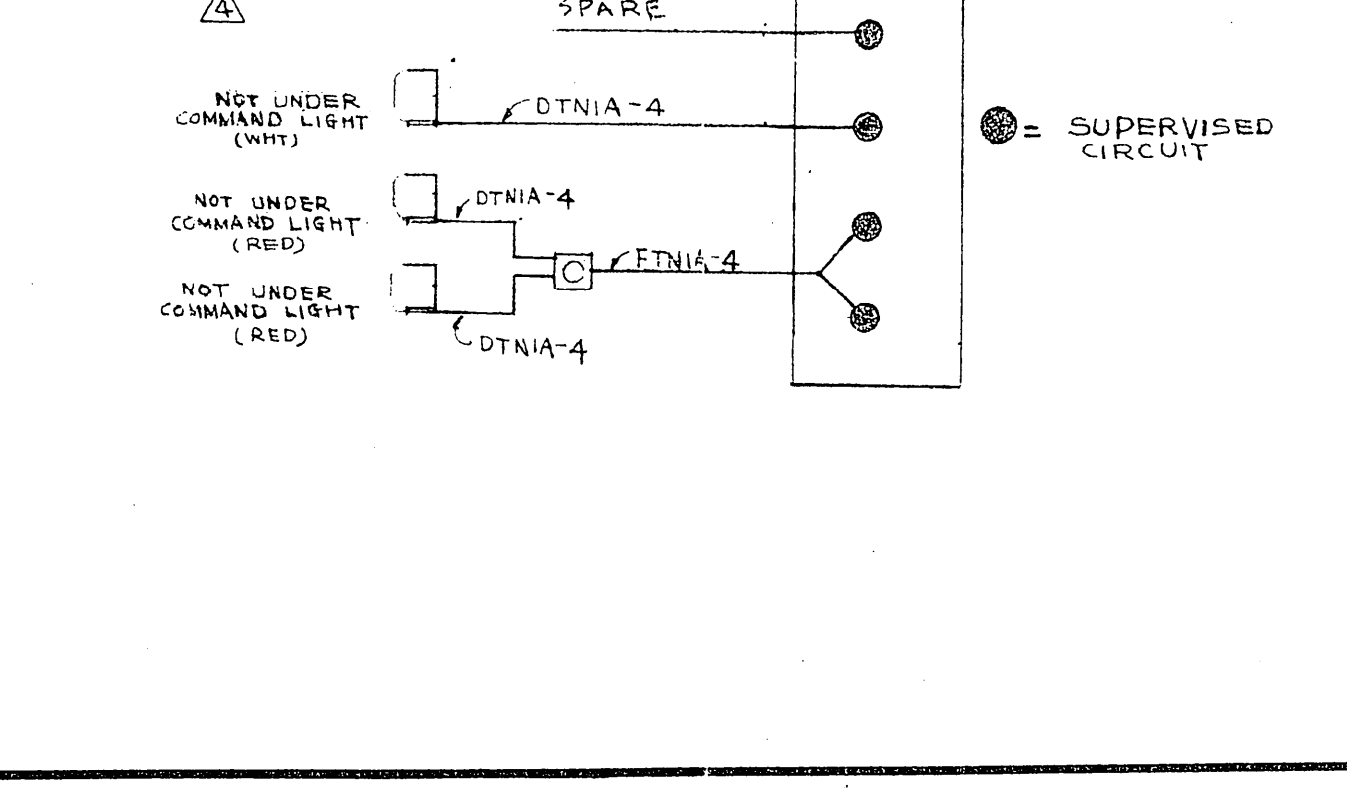
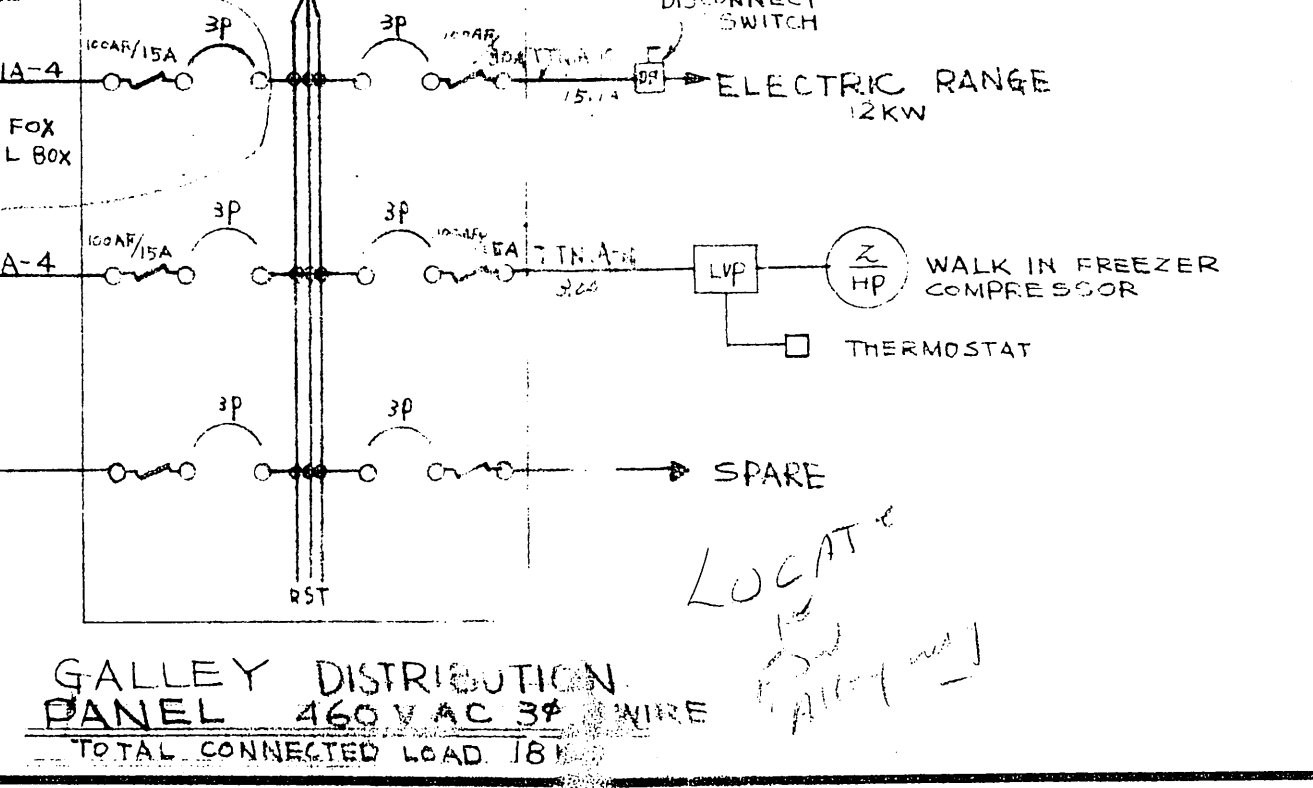
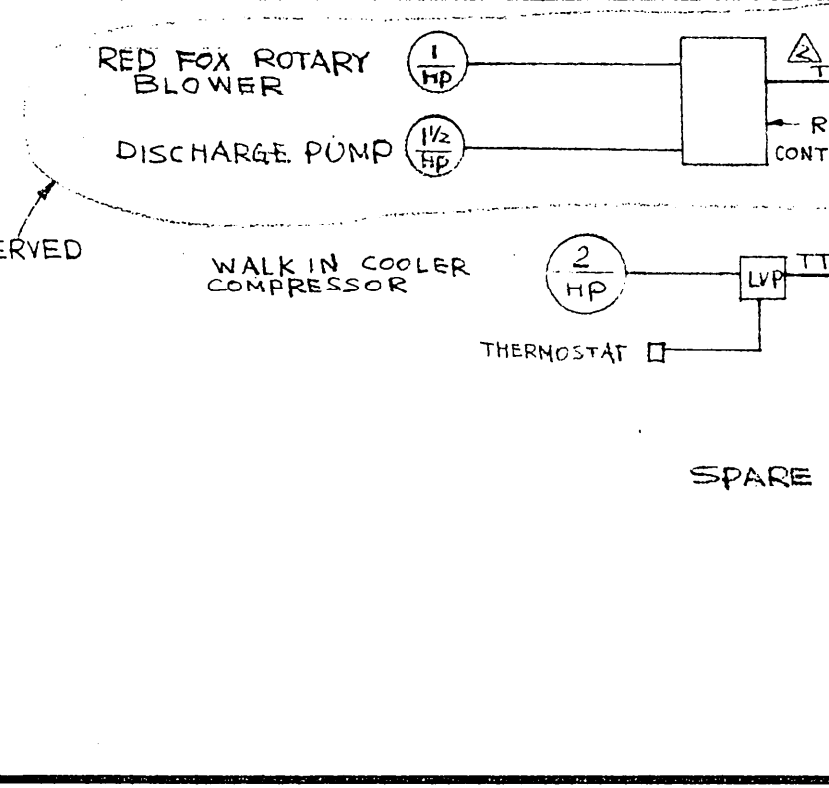
DESIGN ASSOCIATES, INC.
NAVAL ARCHITECTS MARINE ENGINEERS
NEW ORLEANS, LA.

TIDE WATER MARINE SERVICE

143' x 36' x 10' SEISMIC VESSEL

LIGHTING PANEL
ONE LINE DIAGRAM

Drawn: TAK	Date: JUNE 25 '81	Checked:
Traced: Date:	Date:	Checked:
Approved: Date:	Date:	Scale: NONE
Sheet Of	Drawing No. C-2062-36	Revision Mark



NOTE:
(1) ALL 1-POLE BRKRS. SHOULD BE SWITCH NEUTRAL TYPE.